



ROTO PIN
FLEXIBLE
COUPLINGS



Roto Pin Flexible Couplings

Introduction

ROTOPIN Type Couplings are in use in general industrial applications over many years and are quite useful in drives where limited misalignment of shafts is unavoidable.

ROTOPIN Flexible Coupling comprises two Hubs in Cast Iron of high quality and variable number of flexible elements, depending on the power to be transmitted. The flexible elements of rubber bushes are capable of damping vibration and shock loads as well as accepting misalignment that inevitably occurs between rotating shafts which are independently supported.

ROTOPIN Flexible Coupling is suitable for rotation in either direction and does not require lubrication. High quality Rubber used for manufacture of bushes is of high quality and works as a safeguard against any bad effect of water, dust and atmospheric conditions.

Selection

Select the ROTOPIN Coupling of size that will accommodate the diameter of the larger shaft of a drive.

To ensure above Coupling so selected has the required rating capacity:

- Check the Service Factor applicable to the drive from the Service Factor Chart.
- Find out the rating HP/RPM of the drive as per the following formula:

$$\frac{\text{HP} \times \text{Service Factor}}{\text{RPM}} = \text{HP/RPM}$$

- Check that the rating: HP/RPM of the selected coupling is either equal to, or, greater than the calculated rating as above.

Fig-2 (RP 97 - RP190) Type - A

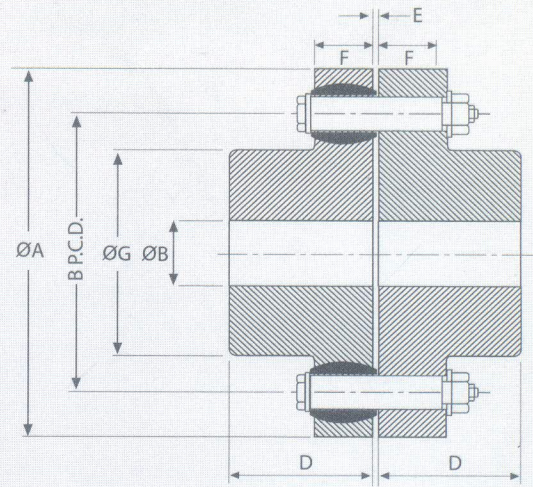
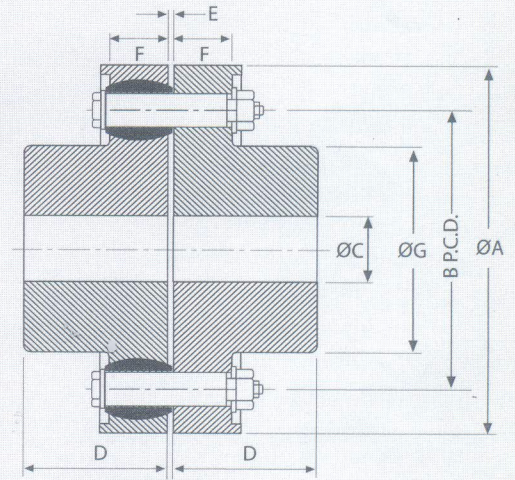
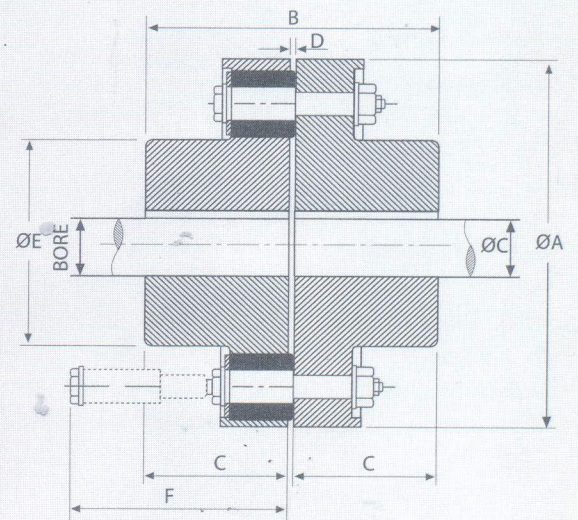


Fig-2 (RP 225 - RP900) Type - B



Type N





Type A & B

Ratings and Dimensions in mm (approx)

Size	Rating		GD ² Kg M	Safe Speed RPM	Approx Wt Kg	Bore O (MM)		No. of Pins	Dimensions in mm					
	Torque Kg M	HP/RPM				Pilot	Max		A	B	D	E	F	G
RP 97	4.30	0.006	0.0064	5000	1.70	10	30	4	97	68	35	3	21	45
RP 112	15.04	0.021	0.0140	4500	3.10	10	35	8	112	84	45	3	24	58
RP 130	22.92	0.032	0.0260	4000	4.40	10	40	8	130	95	50	3	25	68
RP 140	37.95	0.053	0.0440	3800	5.50	15	45	8	140	100	50	3	25	72
RP 160	50.12	0.070	0.0800	3600	8.60	20	55	8	160	116	60	2	28	82
RP 190	85.92	0.120	0.1450	3000	15.10	20	75	10	190	145	75	2	28	110
RP 225	143.20	0.200	0.4800	2650	25.00	40	90	10	225	170	90	3	37	125
RP 250	300.72	0.420	0.7600	2300	31.00	50	100	10	250	180	90	3	40	132
RP 300	322.20	0.450	2.0000	2000	60.00	50	110	10	300	230	120	3	45	176
RP 340	479.72	0.670	3.5600	1800	86.50	60	125	10	340	260	140	3	55	192
RP 380	716.00	1.000	6.4900	1650	118.20	70	140	10	380	295	160	3	55	220
RP 410	930.80	1.300	8.4850	1600	135.30	70	150	10	410	325	160	3	60	251
RP 440	1074.00	1.500	13.8200	1500	173.40	80	160	8	440	335	170	4	70	255
RP 500	1575.20	2.200	24.8050	1250	261.00	90	180	10	500	390	200	4	70	308
RP 560	2434.40	3.400	48.3200	1120	391.00	90	200	10	560	425	220	4	85	321
RP 630	4317.48	6.030	76.8300	1050	516.00	90	200	10	630	480	240	5	95	364
RP 710	4976.20	6.950	120.320	950	572.00	125	225	12	710	560	260	5	100	439
RP 750	5370.00	7.500	156.480	850	668.00	125	250	12	750	585	280	5	102	456
RP 800	9809.20	13.700	195.965	800	758.00	150	300	16	800	630	290	5	110	494
RP 900	15036.00	21.000	302.345	750	983.00	175	325	16	900	730	310	5	125	589

Bush Type Flexible Couplings

Size	No. of Pins	Torque KgM	Stock Min Bore	Max. Bore	Max. Speed in rev / min		A	B	C	D	E	F	Approx Wt Kg
RP 97N	3	7.70	12.7	28	6100		95.5	80	38.5	3	40	58	2.0
RP 112N	4	31.00	12.7	30	5100		113.5	98	47.5	3	42	70	3.5
RP 130N	6	51.60	16	42	4400		130.5	106	51.5	3	60	70	5.0
RP 160N	4	62.10	16	48	3600		159.5	108	51.5	5	68	114	11.00
RP 190N	4	83.10	20	65	3000		191.5	124	59.5	5	90	114	21.00
RP 190AN	6	124.10	20	65	3000		191.5	124	59.5	5	90	114	22.00
RP 225N	6	166.20	25	75	2600		224.5	156	75.5	5	105	114	30.00
RP 250N	8	235.90	45	95	2300		254.5	184	89.5	5	135	114	39.00
RP 250AN	10	293.20	45	95	2300		254.5	184	89.5	5	135	114	41.00
RP 250BN	12	353.30	45	95	2300		254.5	184	89.5	5	135	114	43.00
RP 290N	12	415.40	60	115	1950		289.5	234	114.5	5	170	114	70.00
RP 300N	14	519.50	60	120	1900		300.0	234	114.5	5	180	130	78.00
RP 310N	16	581.60	65	130	1850		309.5	256	125.5	5	195	130	90.00
RP 340N	18	726.80	65	135	1650		340.5	264	129.5	5	200	130	98.00
RP 360N	12	872.90	70	140	1590		359.5	227	135.5	6	210	200	130.00
RP 390N	13	993.20	80	150	1470		390.5	315	154.5	6	225	200	50.00
RP 410N	15	1327.40	90	160	1400		409.5	337	165.5	6	240	200	160.00
RP 440N	16	1442.00	100	170	1300		440.5	365	179.5	6	255	200	175.00
RP 480N	17	1805.00	110	180	1200		479.5	387	190.5	6	270	212	225.00
RP 530N	20	2378.00	120	190	1080		530.5	405	199.5	6	285	212	310.00



GBM Manufacturing Pvt. Ltd.

1D Camac Court
25 B Camac Street
Kolkata 700 016

Phone: 2287 2189 / 2187

Facsimile: 033 2287 2188

Email: gbmpl@vsnl.net / gbmpl@airtelmail.in / gbmfc@airtelmail.in

www.gbmcoupling.com